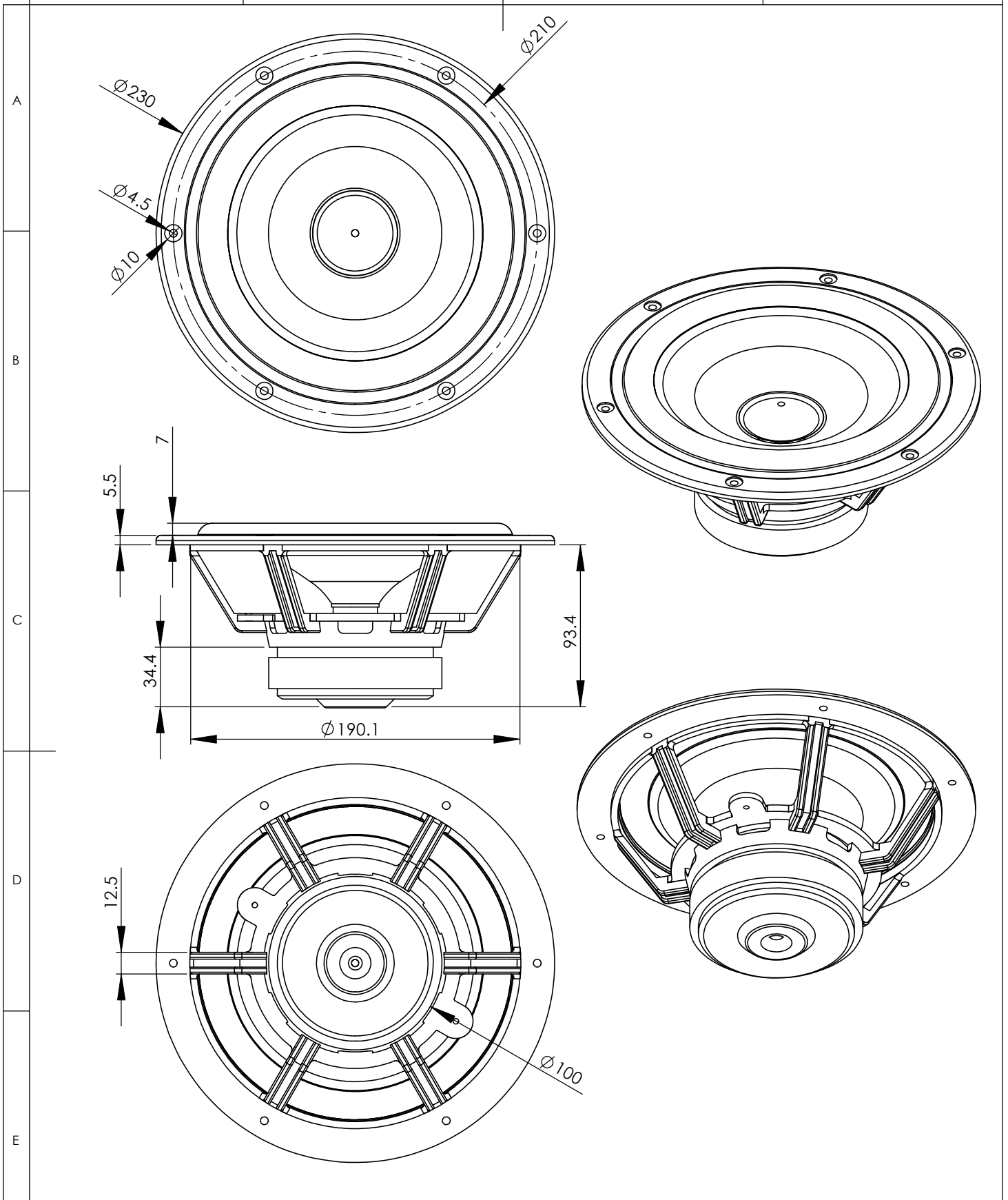


1 2 3 4



UNLESS OTHERWISE SPECIFIED:  
 DIMENSIONS ARE IN MILLIMETERS  
 SURFACE FINISH:  
 TOLERANCES:  
 LINEAR:  
 ANGULAR:

FINISH:  
  
 DEBUR AND  
 BREAK SHARP  
 EDGES

DO NOT SCALE DRAWING  
 REVISION

	NAME	SIGNATURE	DATE		
DRAWN					
CHK'D					
APPV'D					
MFG					
Q.A					

TITLE:

DWG NO. **JX 150 Assly\_A**

SCALE: 1:5

WEIGHT:

SHEET 1 OF 1

A4