

EJ Jordan

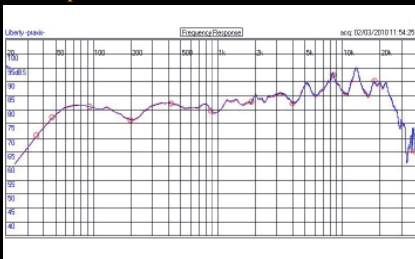
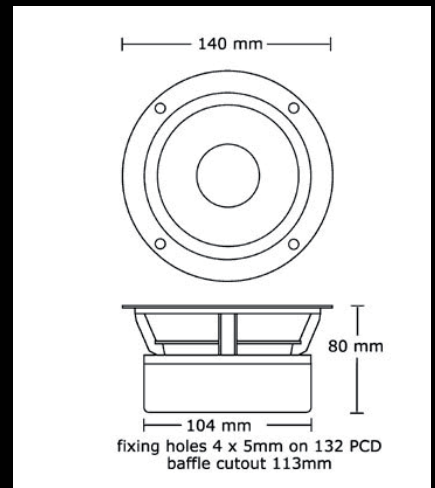


JORDAN JX92

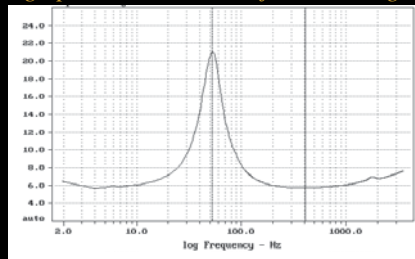
Embracing a range of almost nine octaves, the JX92 offers the widest bandwidth of any single drive unit available. This not only provides an exceptionally smooth, high-definition, crossover-free sound quality but allows for a very diverse range of applications.

The JX92 can be successfully used with all types of enclosures including closed or vented boxes, transmission lines and horn loaded designs. It is eminently suitable for professional near-field monitors, high quality domestic hi-fi, home cinema and custom installations. Optionally the unit is magnetically screened, enabling it to be used in close proximity.

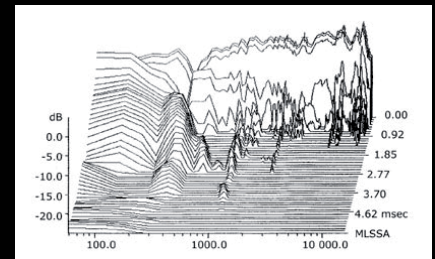
Note, parameters and curves are currently being updated and are subject to changes:



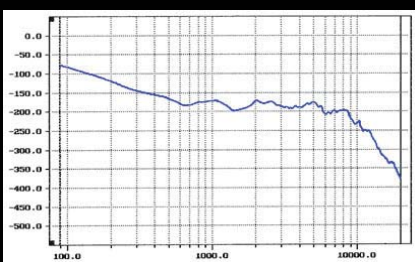
Frequency, updated March 2010



Impedance, updated March 2010



Waterfall MLSSA



Phase

Technical specifications, updated March 2010
15min break-in at 9volts 50 Hz. Stimulus level 3.83 Volts.

Free air resonance FO	Hz	51.0
Mechanical Q	Qm	2.1
Electrical Q	Qe	0.76
Total Q	Qt	0.56
Force factor	B*1 t*m	4.0
DC resistance	Re ohms	5.4
Dynamic mass	Md grams	6.7
Cms	æM/Newton	1390

Equiv air volume	Vas litre	12
Cone area	Sd sq. cms	78.5
Sound pressure level	SPL 1m 1w	85.3
Min box volume (IB)	litres	3.0
Max box volume (vented)	litres	12.5
Power, continuous	watts	50
Power, music, in system	watts	100
Xmax p-p	m.m.	9.0

