

Model Number: SLS-P830946  
Product Line: Peerless Silver

Revision: Rev 1\_1  
Date: 31-Aug-09

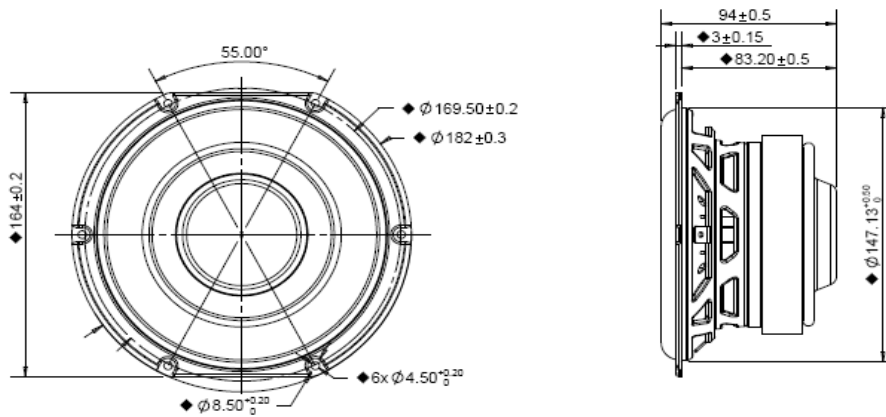


**Product Description:**

The SLS line combines high quality performance with an affordable design. This 6.5 inch 4 ohm member of the SLS family features a rigid steel basket, a paper cone, and a ferrite magnet motor with aluminium shorting ring for improved distortion performance.



**Mechanical 2D Drawing:**



**Specifications:**

DC Resistance	$R_{evc}$	$\Omega$	2.7	5.0%	Energy Bandwidth Product	EBP	$(1/Q_{es})f_s$	110
Minimum Impedance	$Z_{min}$	$\Omega$	3.6	7.5%	Moving Mass	$M_{ms}$	g	30.5
Voice Coil Inductance	$L_e$	mH	0.65		Suspension Compliance	$C_{ms}$	um/N	467
Resonant Frequency	$f_s$	Hz	42	15.0%	Effective Cone Diameter	D	cm	12.54
Mechanical Q Factor	$Q_{ms}$	-	4.92		Effective Piston Area	$S_D$	cm <sup>2</sup>	123.5
Electrical Q Factor	$Q_{es}$	-	0.38		Equivalent Volume	$V_{as}$	L	11.196
Total Q Factor	$Q_{ts}$	-	0.35		Motor Force Factor	BL	T·m	7.60
Ratio $f_s / Q_{ts}$	F	$f_s / Q_{ts}$	119		Motor Efficiency Factor	$\beta$	$(T \cdot m^2) / \Omega$	21.18
Half Space Sensitivity @ 2.83V	dB@2.83V/1m	dB	86.7	+/-1.0 <sup>1</sup>	Voice Coil Former Material	VC <sub>m</sub>	-	GSV
Sensitivity @ 1W/1m	1W/1m	dB	82.0	+/-1.0 <sup>1</sup>	Voice Coil Inner Diameter	VC <sub>d</sub>	mm	38.44
					Gap Height	Gh	mm	8.00
Rated Noise Power (IEC 2685 18.1)	P	W	75		Maximum Linear Excursion	X <sub>max</sub>	mm	8.20
Test Spectrum Bandwidth	20Hz - 1kHz	12 dB/Oct			Ferrofluid Type	FF	N/A	
					Transducer Size	-	inch	6.5
					Transducer Mass	-	kg	2.4

1 - Piston Band Sensitivity Tolerance

**Frequency and Impedance Response:**

