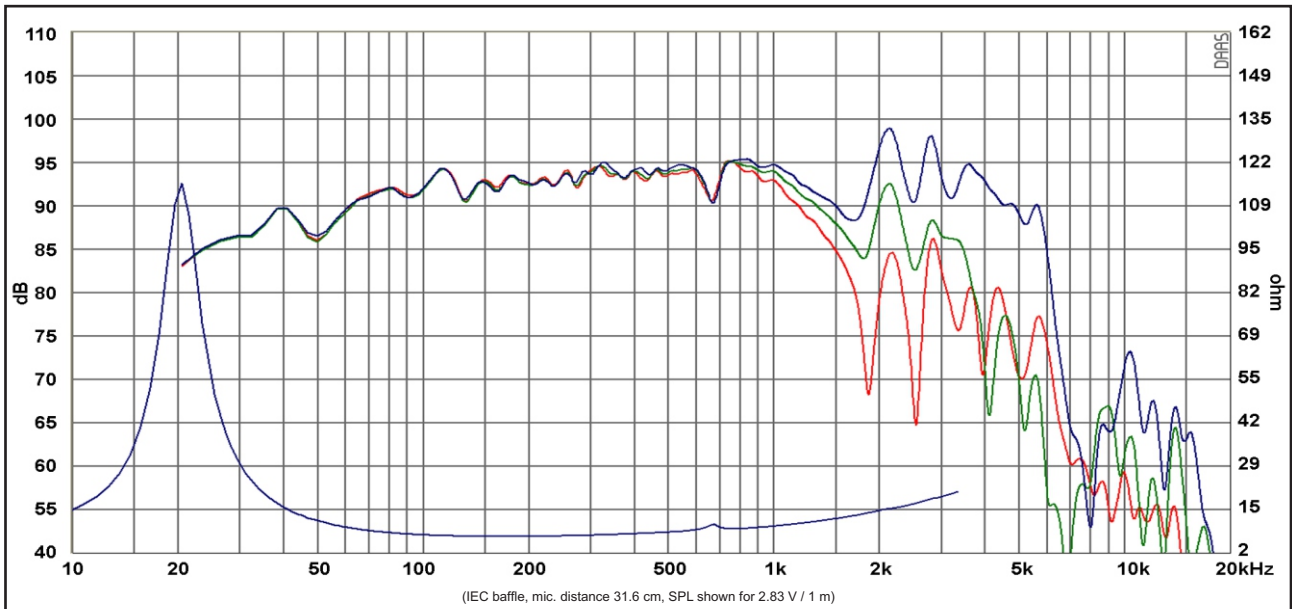
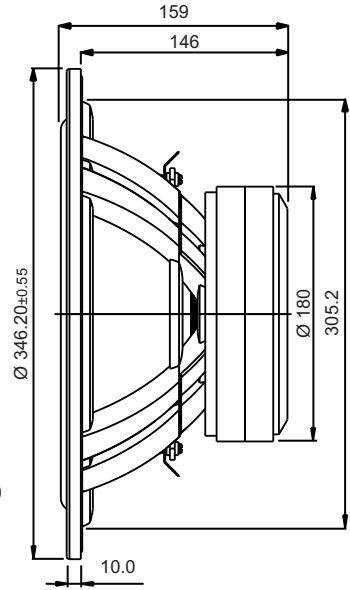
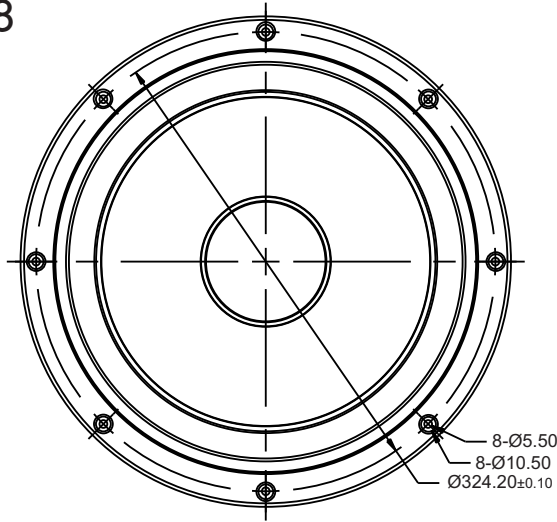


ACOUSTICS

12" SB34NRXL75-8



Response Curve :

— (Blue) : on axis — (Green) : 30° off-axis — (Red) : 60° off-axis

Specs :

Nominal Impedance	8 Ω	Free air resonance, Fs	22 Hz
DC resistance, Re	6.2 Ω	Sensitivity (2.83 V / 1 m)	91 dB
Voice coil inductance, Le	1.2 mH	Mechanical Q-factor, Qms	5.5
Effective piston area, Sd	508 cm ²	Electrical Q-factor, Qes	0.29
Voice coil diameter	75.6 mm	Total Q-factor, Qts	0.28
Voice coil height	28 mm	Moving mass incl.air, Mms	93 g
Air gap height	8 mm	Force factor, Bl	16.6 Tm
Linear coil travel (p-p)	20 mm	Equivalent volume, Vas	205 liters
Magnetic flux density	1.1 T	Compliance, Cms	0.56 mm/N
Magnet weight	3.6 kg	Mechanical loss, Rms	2.35 kg/s
Net weight	8.9 kg	Rated power handling*	200 W

* IEC 268-5, T/S parameters measured on drive units that are broken in.