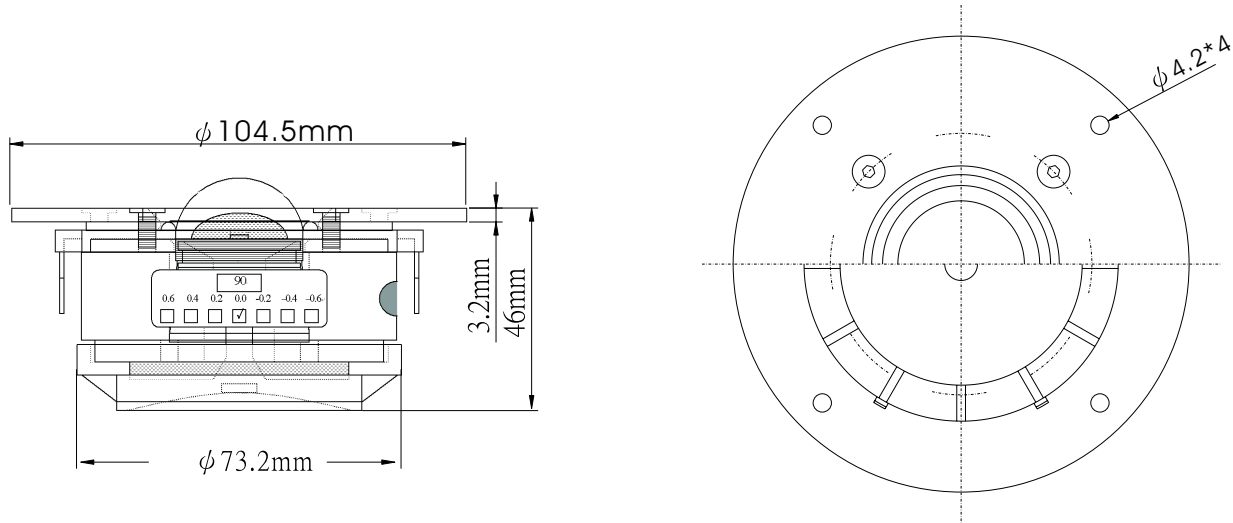


**9930-20**



**Specifications**

<b>NOMIAL IMPEDANCE</b>	<b>8 ±15% at 1.0V 1KHz</b>
<b>VC NOMINAL DIA</b>	<b>φ28mm</b>
<b>LOWEST RESONANCE FREQUENCY</b>	<b>FO=660Hz ±5Hz at 1.0V</b>
<b>EFFECTIVE FREQUENCY RANGE</b>	<b>FO ~ 20KHz-10dB 1M/1W</b>
<b>OUTPUT SOUND PRESSURE LEVEL</b>	<b>88dB/W/M ±3dB 3,4,5,6KHz AVE</b>
<b>INPUT</b>	<b>RATED INPUT 10WM AXIMUM INPUT 15W</b>
<b>FLUX DENSITY</b>	<b>13K ±10% GUASS</b>
<b>BUZZ &amp; RATTLE TEST</b>	<b>1.0V</b>
<b>POLARITY</b>	<b>POSITIVE - (LEFT) HAND TERMINAL</b>
<b>BAFFLE OPENING</b>	<b>33mm</b>
<b>MAGNET DIMENION / WEIGHT</b>	<b>72*32*20(mm)/315g</b>
<b>WEIGHT</b>	<b>710g</b>
<b>DROPPING TEST</b>	<b>1150mm 75° ±2°</b>

