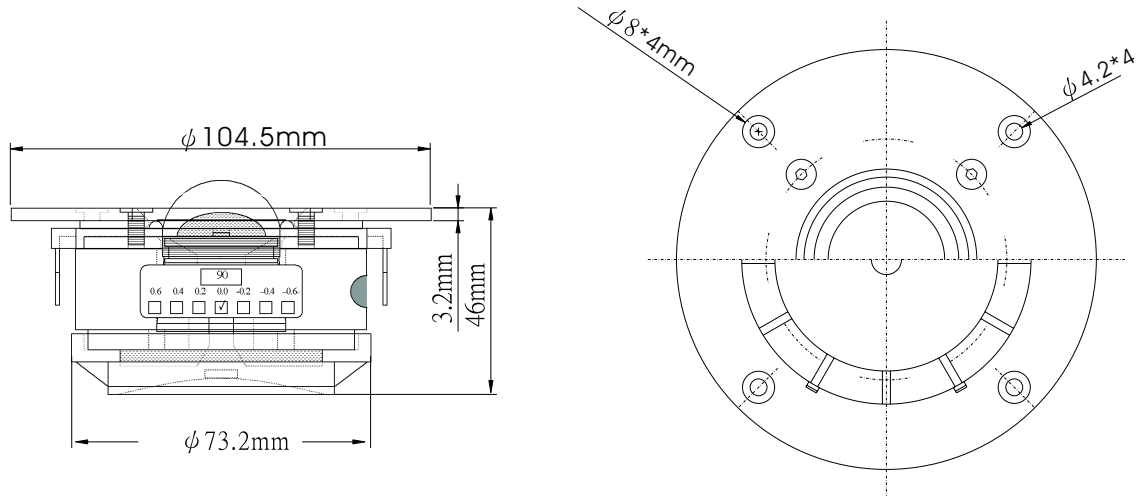


9950-20



Specifications

NOMIAL IMPEDANCE	8Ω±15% at 1.0V 1KHz
VC NOMINAL DIA	φ28mm
LOWEST RESONANCE FREQUENCY	FO=560Hz ±5Hz at 1.0V
EFFECTIVE FREQUENCY RANGE	FO ~ 20KHz-10dB 1M/1W
OUTPUT SOUND PRESSURE LEVEL	88dB/W/M ±3dB 3,4,5,6KHz AVE
INPUT	RATED INPUT 10WM AXIMUM INPUT 15W
FLUX DENSITY	13K ±10% GUASS
BUZZ & RATTLE TEST	1.0V
POLARITY	POSITIVE - (LEFT) HAND TERMINAL
BAFFLE OPENING	33mm
MAGNET DIMENION / WEIGHT	72*32*20(mm)/315g
WEIGHT	710g
DROPPING TEST	1150mm 75° ±2°

