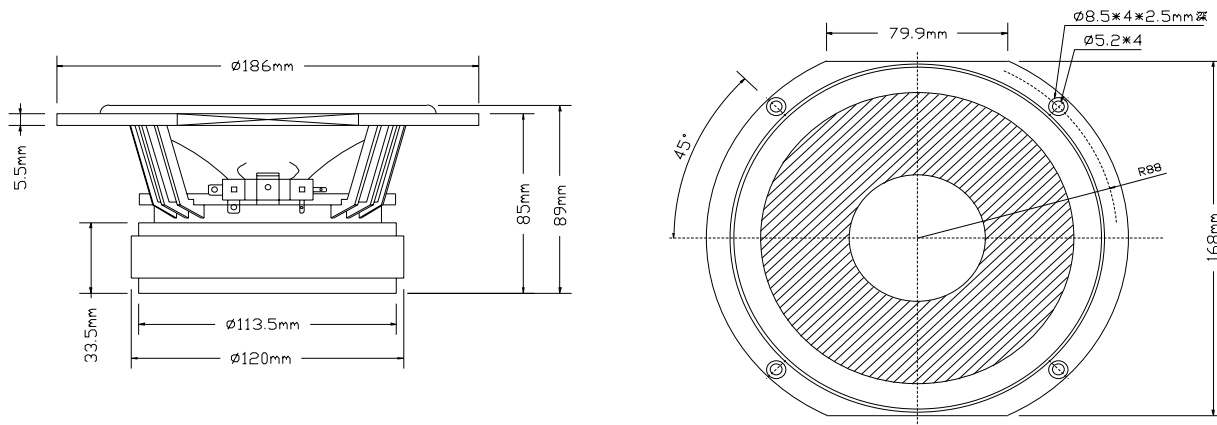
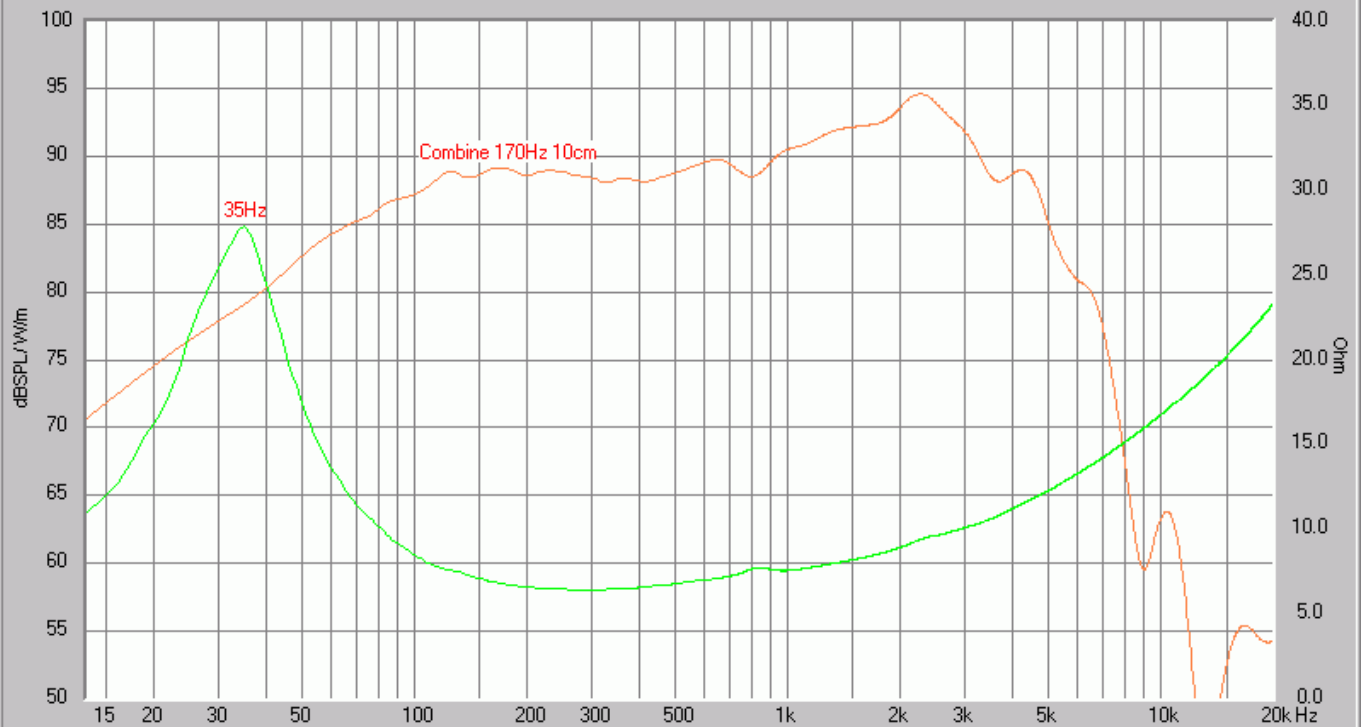


**8836A**



**Specifications**

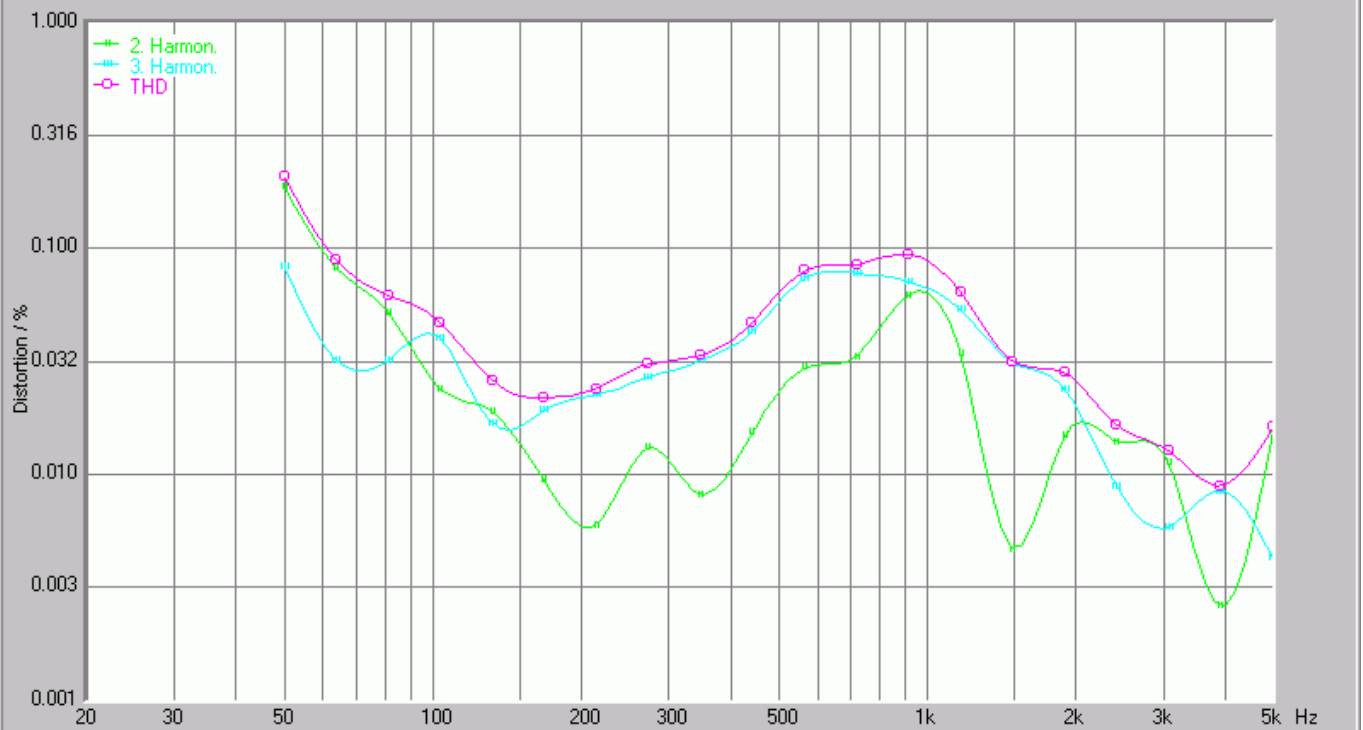
<b>NOMIAL IMPEDANCE</b>	<b>8Ω ±15% at 1.0V 1KHz</b>
<b>VC NOMINAL DIA</b>	<b>φ 38.04mm</b>
<b>LOWEST RESONANCE FREQUENCY</b>	<b>FO=28Hz ±3Hz at 1.0V</b>
<b>EFFECTIVE FREQUENCY RANGE</b>	<b>FO ~ 5KHz-10dB 1M/1W</b>
<b>OUTPUT SOUND PRESSURE LEVEL</b>	<b>88dB/W/M ±3dB 200,300,400,500Hz AVE</b>
<b>INPUT</b>	<b>RATED INPUT 70W · MAXIMUM INPUT 100W</b>
<b>FLUX DENSITY</b>	<b>11.95K ±10% GUASS</b>
<b>BUZZ &amp; RATTLE TEST</b>	<b>7.0V</b>
<b>POLARITY</b>	<b>POSITIVE - (LEFT) HAND TERMINAL</b>
<b>BAFFLE OPENING</b>	<b>140mm</b>
<b>MAGNET DIMENION / WEIGHT</b>	<b>120*45*20(mm)/925g</b>
<b>WEIGHT</b>	<b>2340g</b>
<b>DROPPING TEST</b>	<b>1150mm 75° ±2°</b>
<b>LINEAR EXCURSION (Xmax)</b>	<b>5mm</b>
<b>EQUIVALENT AIR VOLUME (Vas)</b>	<b>50.1 lt</b>
<b>MECHANICAL Q (Qms)</b>	<b>1.215</b>
<b>ELECTRICAL Q (Qes)</b>	<b>0.327</b>
<b>TOTAL Q (Qts)</b>	<b>0.258</b>



Distance Speaker - Mic.: 50.0cm, dB SPL normalised on 1 Meter, Delay: 1.5ms

Test Signal: SWEEP

In1 0.0V In2 .1Pa Out 20 dB kHz 48 DUT: 8 8 3 6 A W 0 3 0 2 S 1 ~ S 2 SN: 0000 003/1/17 11:25:20 AM



FFT-len: 8192 Pt, Averages: 2

Test freq.: 20, 50-5000 Hz

In1 0.0V In2 .1Pa Out 22 dB kHz 6 DUT: 8 8 3 6 A W 0 3 0 2 S 1 ~ S 2 SN: 0000 003/1/17 11:27:33 AM