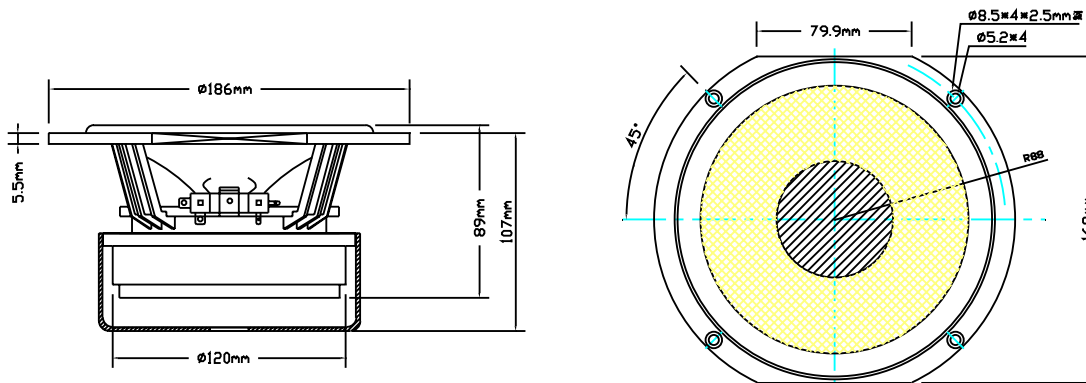


8836AC2



Specifications

NOMIAL IMPEDANCE	8Ω ±15% at 1.0V 1KHz
VC NOMINAL DIA	φ 38mm
LOWEST RESONANCE FREQUENCY	FO=31Hz ±3Hz at 1.0V
EFFECTIVE FREQUENCY RANGE	FO ~ 5KHz-10dB 1M/1W
OUTPUT SOUND PRESSURE LEVEL	87dB/W/M ±3dB 300 , 400 , 500 , 600Hz AVE
INPUT	RATED INPUT 70W , MAXIMUM INPUT 100W
FLUX DENSITY	--- ±10% GUASS
BUZZ & RATTLE TEST	7.0V
POLARITY	POSITIVE - (LEFT) HAND TERMINAL
BAFFLE OPENING	140mm
MAGNET DIMENION / WEIGHT	120*45*20(mm)/925g
WEIGHT	3340g
DROPPING TEST	1150mm 75° ±2°
LINEAR EXCURSION (Xmax)	5 mm
EQUIVALENT AIR VOLUME (Vas)	46.3924 Litr
MECHANICAL Q (Qms)	1.879
ELECTRICAL Q (Qes)	0.396
TOTAL Q (Qts)	0.327

