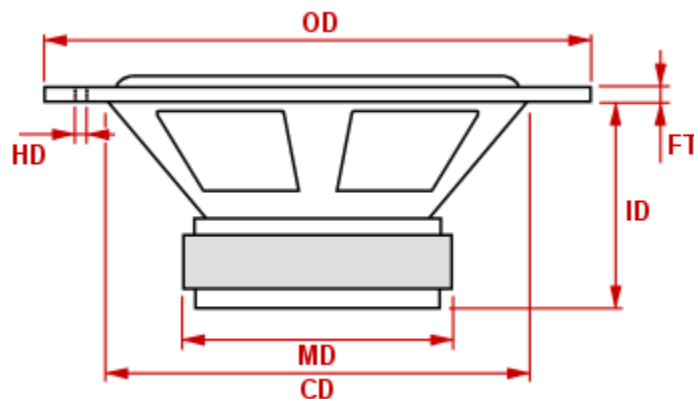


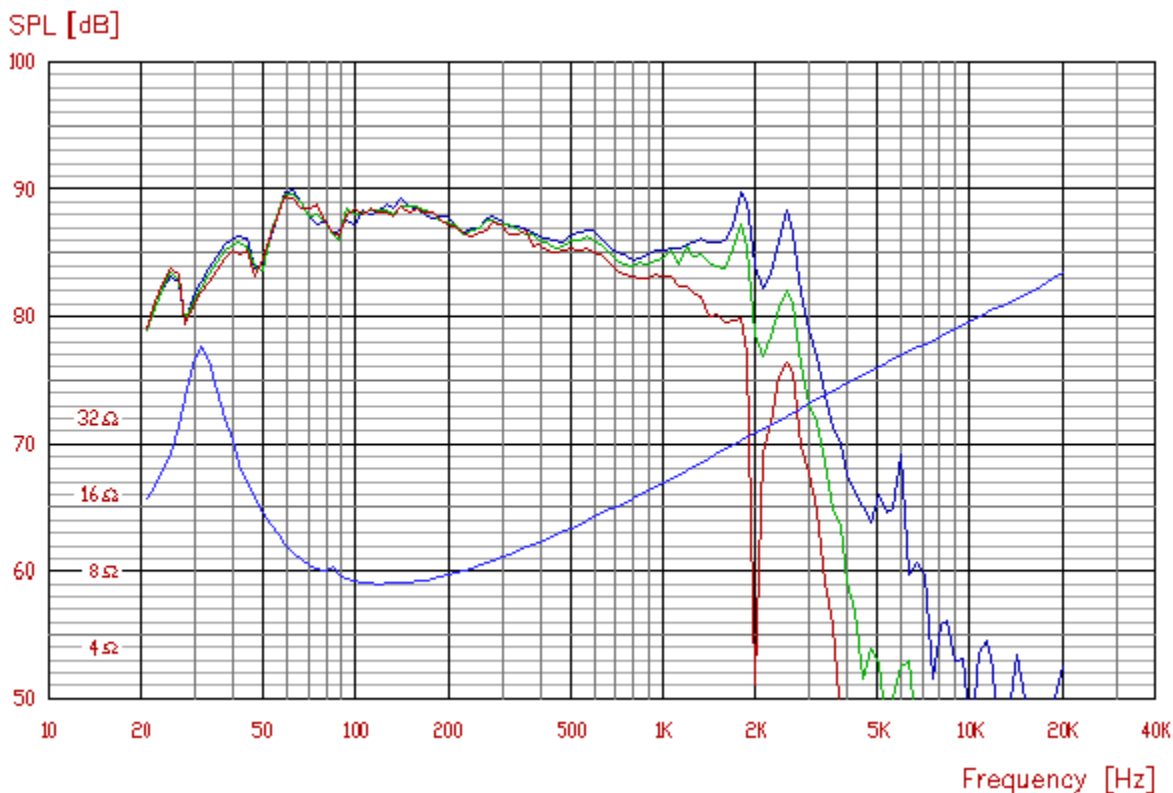


# PL26WR09-04

Nominal impedance [ohm]	4
Voice coil resistance [ohm]	3.2
Nominal power [W]	125
Short term max power [W]	600
Long term max power [W]	350
Operating power [W]	10
Sensitivity [dB]	89
Frequency range [Hz]	25-500
Free air resonance [Hz]	26
Voice coil diameter [mm]	50
Voice coil height [mm]	16
Air gap height [mm]	8
Voice coil inductance [mH]	1.70
Eff. diaphragm Area [cm <sup>2</sup> ]	337
Moving mass [g]	55
Magnet weight [g]/[oz]	1050/37
Force factor [Bl]	8.7
VAS [l]	110
Qms	4.49
Qes	0.38
Qts	0.35



OD:	-	CD:	-
FT:	-	ID:	-
MD:	-	HD:	-



Frequency response: 2.83V / 1m