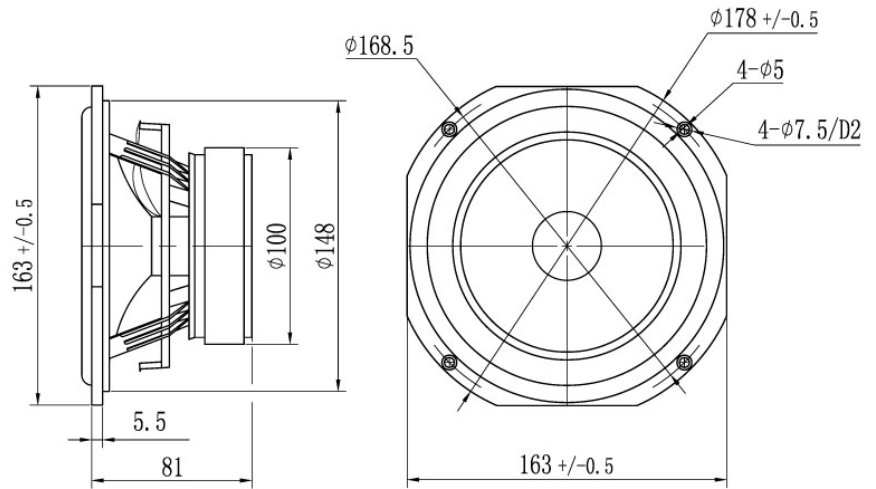
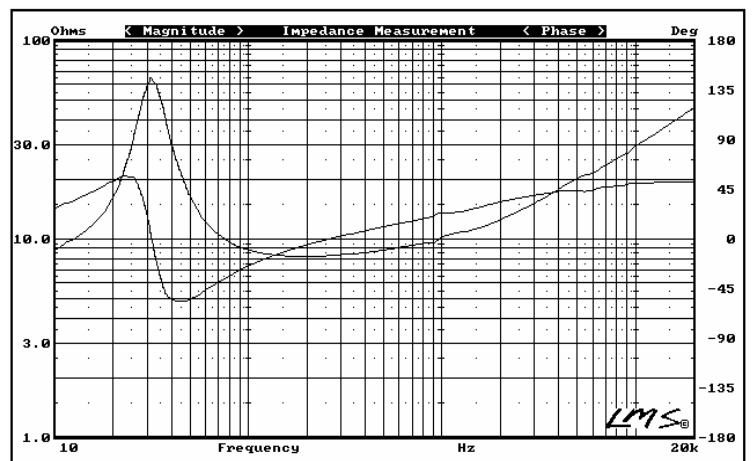
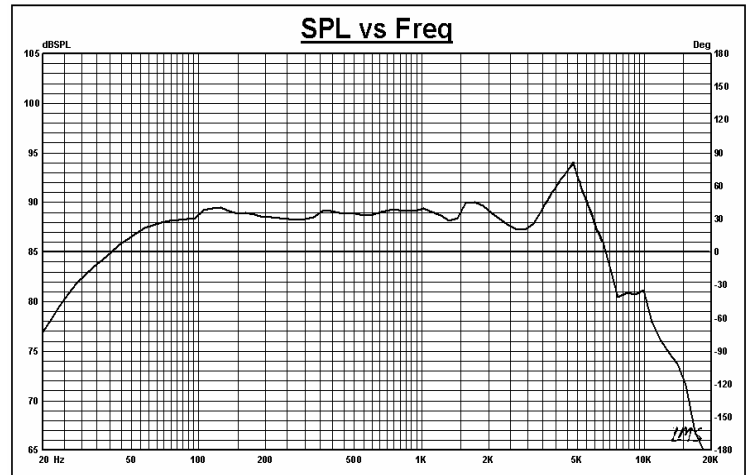


# AC-165 Mid/woofer



- Feature:**
- Composite cone of non-woven carbon fiber and Kevlar.
  - Al-alloy frame (round frame for option).
  - 25mm / 1" flat CCAW voice coil, Kapton voice coil bobbin.

Nominal power	P	60	W
Sensitivity 1W/1m	SPL	89	dB
Nominal impedance	Z	8	$\Omega$
Frequency range	-	32~8000	Hz
Resonance frequency	F0	32	Hz
DC resistance	Re	7.0	$\Omega$
Mechanical quality factor	Qms	3.38	-
Electrical quality factor	Qes	0.41	-
Total quality factor	Qts	0.37	-
Equivalent volume of air	Vas	76	L
Moving mass	Mms	9.6	g
Effective piston area	S	133	cm <sup>2</sup>
Mechanical suspension compliance	Cms	3.03	mm/N
BL product	BL	5.3	N/A
Flux density	B	1.1	T
Voice coil diameter	$\Phi$	25	mm
Voice coil height	H	13	mm
Voice coil inductance	Lbm	0.35	mH
Linear excursion	Xmax	$\pm 5$	mm
Magnet diameter	$\Phi$	100	mm
Magnet height	H	20	mm
Frame	-	Aluminum	-
Net weight	M	1.35	kg
Outer dimensions	-	163x163/178	mm
Cutout dimensions	$\Phi$	152	mm
Flange thickness	T	5.5	mm
Overall depth	D	81	mm



JINLANG AUDIO CO.,LTD.

NO.1 XIANQIAO ST., BEIGUAN RD., PENGLAI, CHINA

E-MAIL: aurumcantus@aurumcantus.com TEL: ++86-535-5643369 FAX: ++86-535-5610809