

# MDT 32S - SOFT DOME TWEETER, CLASSIC RANGE

## Acuflex Treated Dome, Vented Motor



### Specifications

Overall Dimensions		110mm(4.33")x46mm(1.81")
Nominal Power Handling (DN)	P	200 W
Transient power 10ms		1000 W
Nominal Impedance	Z	8 Ohms
Sensitivity 1W/1M		90 dB
Frequency Response		1600-25000 Hz
Resonant Frequency	FS	650 Hz

### Voice coil

Voice Coil Diameter	DIA	28mm (1.125")
Voice Coil Height		2.7mm (0.106")
Voice Coil Former		Aluminum
Voice Coil Wire		Hexatech Aluminum
Number of Layers		2
DC Resistance	RE	5.2 Ohms
Voice Coil Inductance @ 1KHz	LBM	0.09 mH

### Magnet System

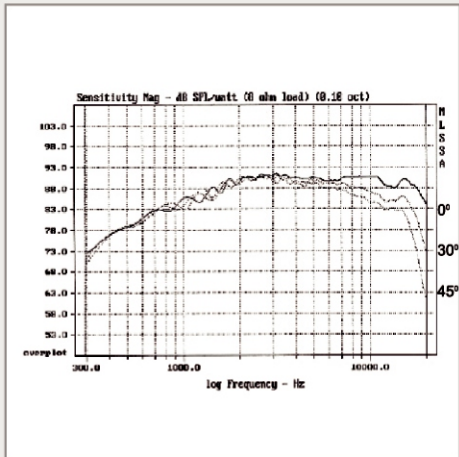
Magnet System Type		Ferrite Vented Pole
HE - Magnetic Gap Height	HE	2.5mm (0.098")
B Flux Density	B	1.5 T
BL Product	BXL	3.5 N.A
Max. Linear Excursion	X	

### Operational Parameters

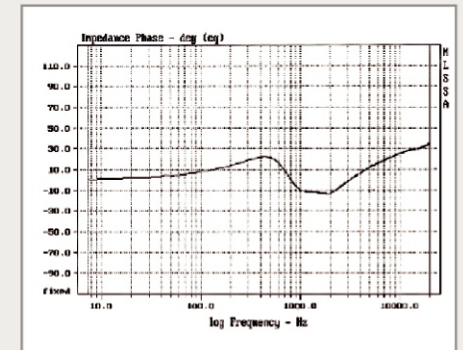
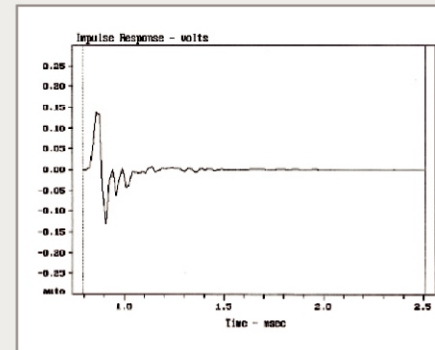
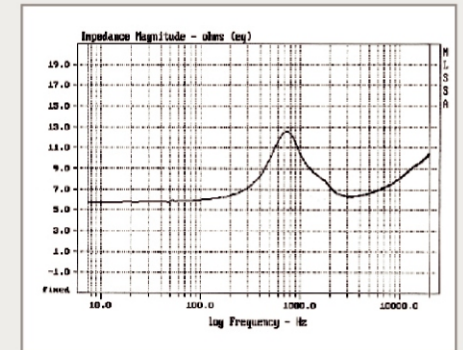
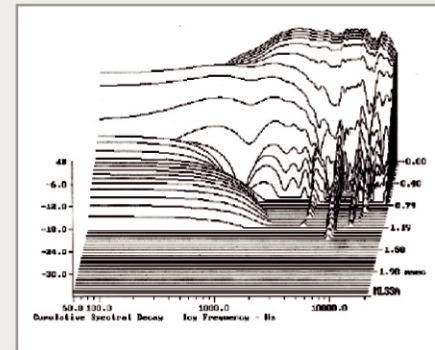
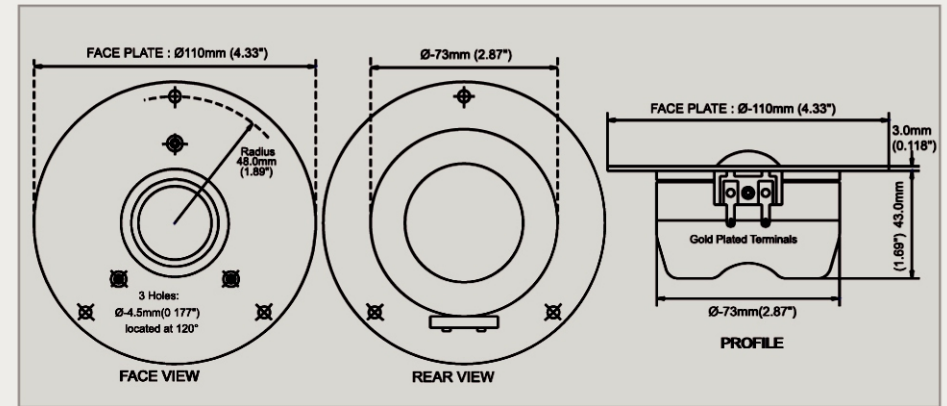
Suspension Compliance	CMS	
Mechanical Q Factor	QMS	
Electrical Q Factor	QES	
Total Q Factor	Q/T	
Mechanical Resistance	RMS	
Moving Mass	MMS	0.44 gm
Eq. Cas Air Load (liters)	VAS	
Dome Material	Acuflex	Hand Treated Fabric
Effective Piston Area	SD	6.0 cm <sup>2</sup>
Net Weight	Kg.	0.56 Kg.

### FEATURES

- Large diameter voice coil
- Replaceable dome/coil assembly
- Aluminum face-plate
- Ferroflu d cooled
- High power handling
- Sturdy gold-plated nput tags



# MDT 32S



morel HIGH FIDELITY



www.morelhifi.com