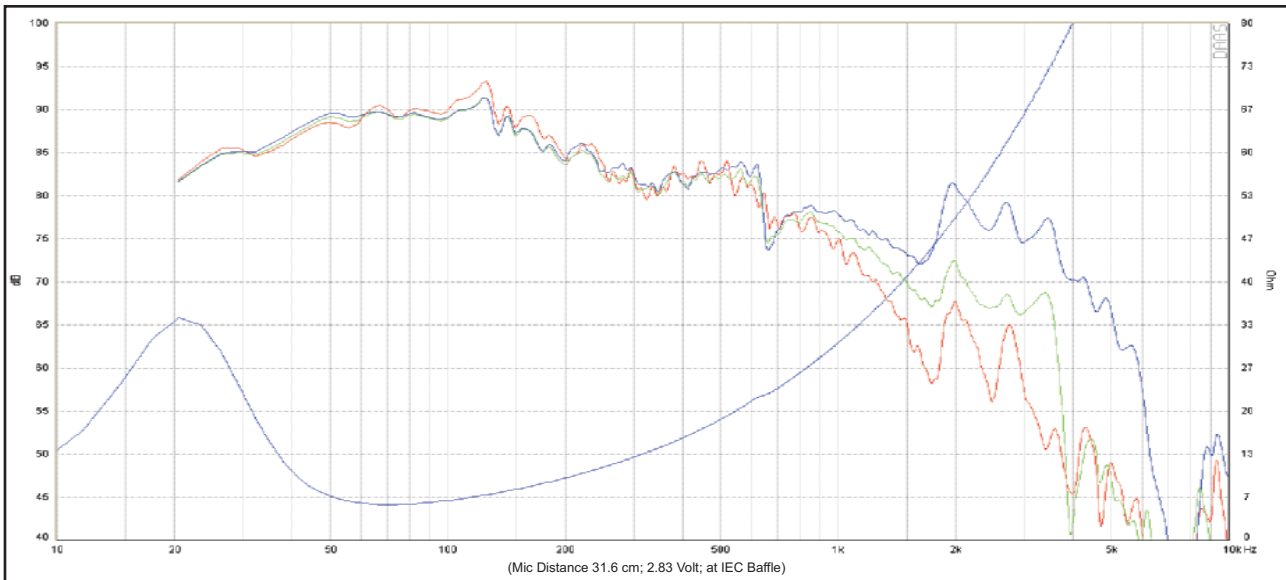
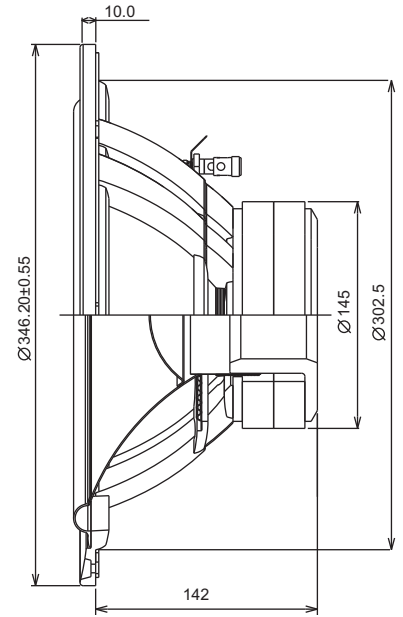
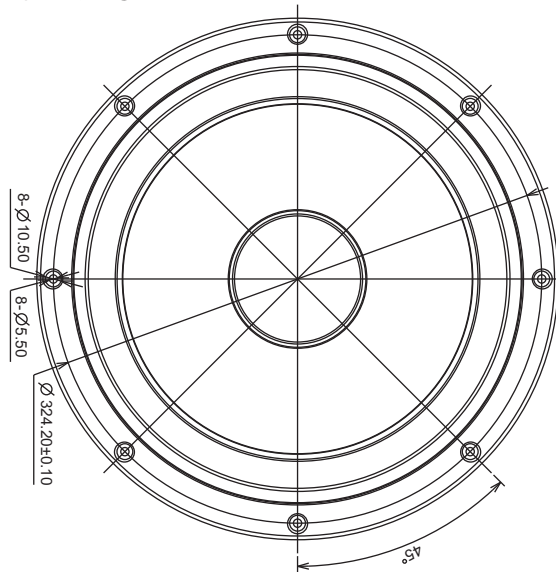


ACOUSTICS

12" SB34SWNRX-S75-6

Preliminary data



Response Curve :

— (Blue) : on axis — (Green) : 30 off-axis — (Red) : 60 off-axis

Specs :

Nominal Impedance	6 Ω	Free air resonance, F_s	18 Hz
DC resistance, R_e	4.5 Ω	Sensitivity (2.83 V/1m)	88 dB
Voice coil inductance, L_e	3.0 mH	Mechanical Q-factor, Q_{ms}	7.3
Effective piston area, S_d	508 cm ²	Electrical Q-factor, Q_{es}	0.35
Voice coil diameter	75.6 mm	Total Q-factor, Q_{ts}	0.33
Voice coil height	28.5 mm	Moving mass incl.air, m_d	153 g
Air gap height	6 mm	Force factor, Bl	15.1 Tm
Linear coil travel (p-p)	22 mm	Equivalent volume, V_{as}	183 liters
Magnetic flux density	0.63 T	Compliance, C_{ms}	0.50 mm/N
Magnet weight	2.1 kg	Mechanical loss, R_m	2.4 kg/s
Net weight	5.85 kg	Rated power handling	200 watt

The parameter are measured on drive units that are broken in