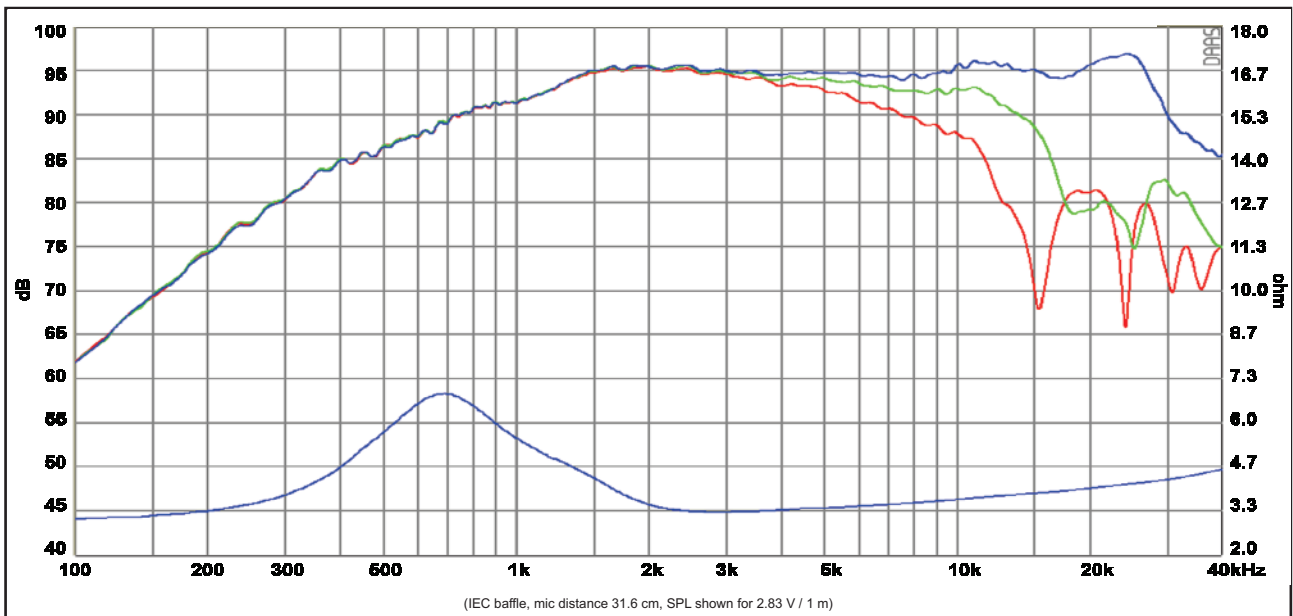
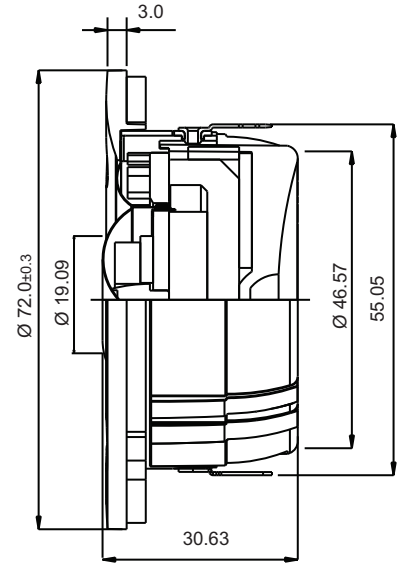
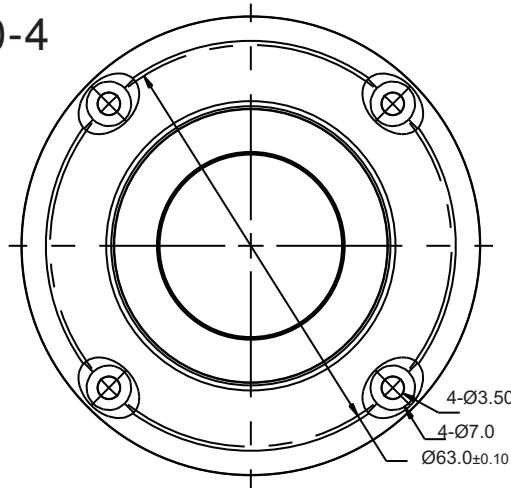


ACOUSTICS

SB29RDNC-C000-4



Response Curve :

— (Blue) : on axis — (Green) : 30° off-axis — (Red) : 60° off-axis

Specs :

Nominal Impedance	4 Ω	Free air resonance, Fs	680 Hz
DC resistance, Re	3.0 Ω	Sensitivity (2.83 V / 1 m)	94 dB
Voice coil inductance, Le	0.05 mH	Mechanical Q-factor, Qms	1.2
Effective piston area, Sd	9.6 cm ²	Electrical Q-factor, Qes	0.72
Voice coil diameter	29.0 mm	Total Q-factor, Qts	0.45
Voice coil height	2.0 mm	Force factor, Bl	2.6 Tm
Air gap height	2.5 mm	Rated power handling*	100 W
Linear coil travel (p-p)	0.5 mm	Magnetic flux density	1.2 T
Moving mass incl. air, Mms	0.45 g	Magnet weight	31 g
		Net weight	0.17 kg

* IEC 268-5, high-pass Butterworth, 2600 Hz, 12 dB/oct