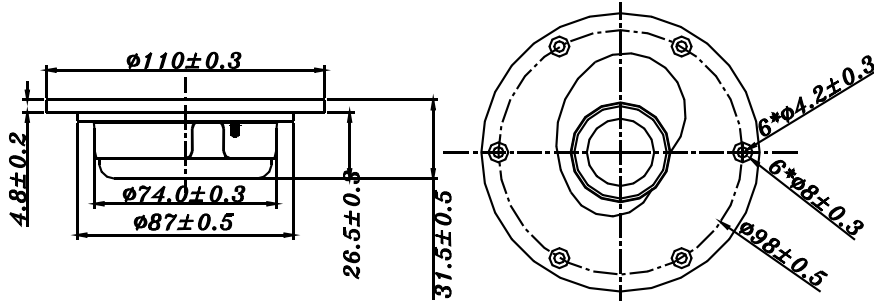


TW SERIES

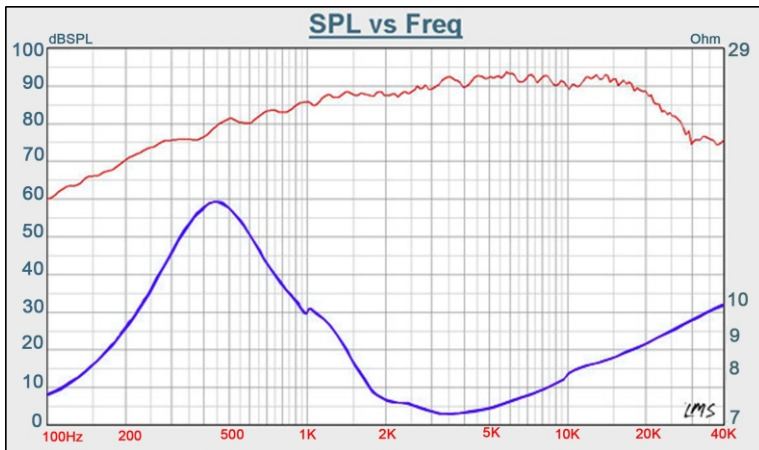
25-1743S



- BERYLLIUM DOME, FABRIC SURROUND
- NEODYMIUM MAGNET, SHIELDED
- SHORT RING, STAMPING STEEL BACK CHAMBER
- FO = 450Hz
- VERY LOW 2nd AND 3rd DISTORTION (LOW THD)
- ALUMINUM FRONT PANEL
- FERROFLUID COOLED

25mm CERAMIC DOME TWEETER

DIAPHRAGM MTL	Beryllium
SURROUND MTL	Fabric
NOMINAL IMPEDANCE	8 Ω
DCR IMPEDANCE	6 Ω
SENSITIVITY 1W/1M	91 dB
FREQUENCY RESPONSE	450Hz - 20K Hz
FREE AIR RESONANCE	450 Hz
VOICE COIL DIAMETER	25.4 mm
AIR GAP HEIGHT	2.5 mm
RATED POWER INPUT	8 W
MAXIMUM POWER INPUT	80 W
FORCE FACTOR, BL	N/A
MAGNET WEIGHT (oz)	Neodymium
MOVING MASS	N/A
FERROFLUID ENHANCED	Yes
SUSPENSION COMPLIANCE	N/A
EFFECTIVE PISTON AREA	N/A
Levc	0.004mH
Zo	17ohm
Xmax	N/A
Vas	N/A
Qts	N/A
Qms	N/A
Qes	N/A



TB SPEAKERS

VOICE: 886.2.26570282 FAX: 886.2.26580166
E-MAIL: info@tb-speaker.com