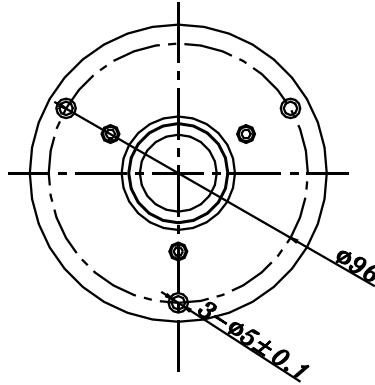
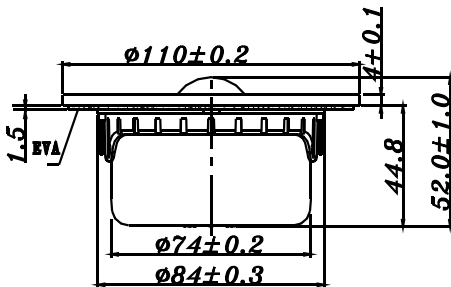


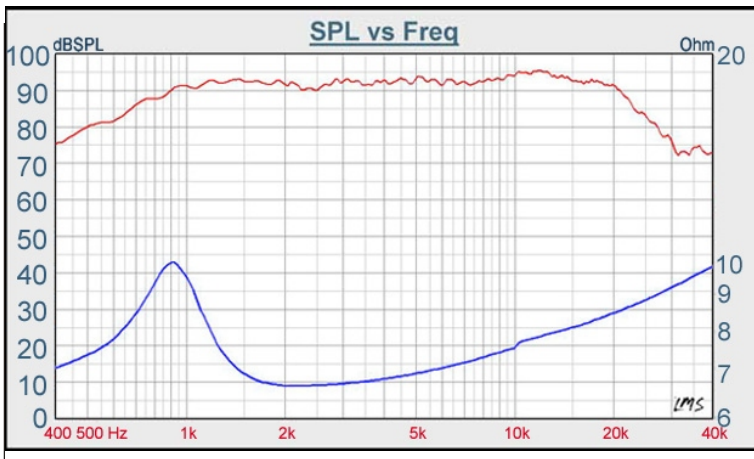
# TW SERIES

# 28-537SH



- SOFT DOME DIAPHRAGM COATED WITH HIGH LOSS MATERIAL
- FERROFLUID COOLED
- SHORT RING, BACK CHAMBER
- ALUMINUM FRONT PANEL
- MAGNETICALLY SHIELDED
- VERY LOW 2<sup>nd</sup> AND 3<sup>rd</sup> DISTORTION (LOW THD)

## 28mm FABRIC DOME TWEETER



DIAPHRAGM MTL	Fabric
SURROUND MTL	N/A
NOMINAL IMPEDANCE	8 Ω
DCR IMPEDANCE	6 Ω
SENSITIVITY 1W/1M	91 dB
FREQUENCY RESPONSE	900Hz-20K Hz
FREE AIR RESONANCE	900 Hz
VOICE COIL DIAMETER	28 mm
AIR GAP HEIGHT	3 mm
RATED POWER INPUT	12 W
MAXIMUM POWER INPUT	100 W
FORCE FACTOR, BL	N/A
MAGNET WEIGHT ( 10.2 oz)	Ferrite
MOVING MASS	N/A
FERROFLUID ENHANCED	Yes
SUSPENSION COMPLIANCE	N/A
EFFECTIVE PISTON AREA	N/A
Levc	0.006 mH
Zo	12 ohm
Xmax	N/A
Vas	N/A
Qts	N/A
Qms	N/A
Qes	N/A

VOICE: 886.2.26570282 FAX: 886.2.26580166  
E-MAIL: info@tb-speaker.com