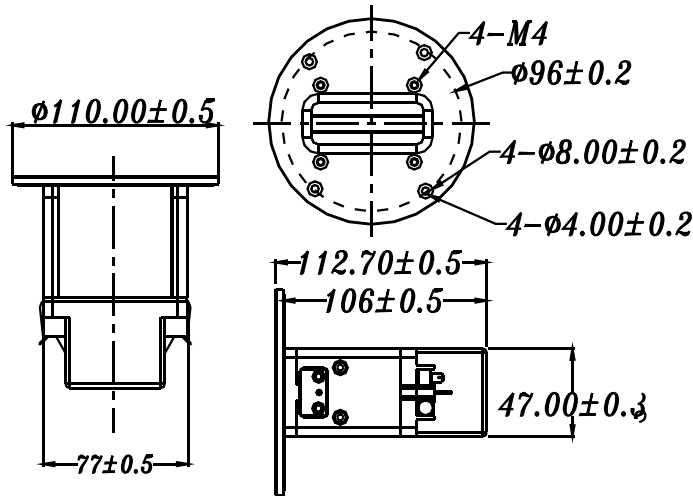


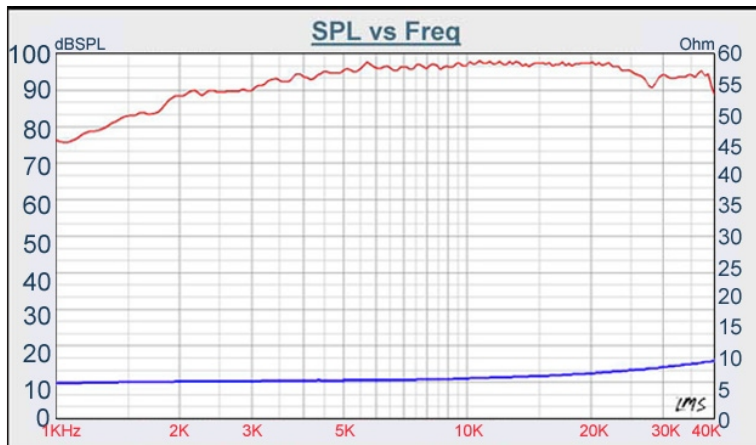
# TW SERIES

# RT-1516SA



- ALUMINUM FOIL, RIBBON DIAPHRAGM
- NEODYMIUM MAGNET, MATCHING TRANSFORMER
- HIGH SPL, 95dB/W/M
- FREQUENCY RESPONSE OF 2KHz TO 40KHz

## RIBBON TWEETER



|                       |             |
|-----------------------|-------------|
| DIAPHRAGM MTL         | Alum        |
| SURROUND MTL          | N/A         |
| NOMINAL IMPEDANCE     | 8 Ω         |
| DCR IMPEDANCE         | N/A         |
| SENSITIVITY 1W/1M     | 95 dB       |
| FREQUENCY RESPONSE    | 2KHz-40 KHz |
| FREE AIR RESONANCE    | N/A         |
| VOICE COIL DIAMETER   | 8 mm        |
| AIR GAP HEIGHT        | 2 mm        |
| RATED POWER INPUT     | 8 W         |
| MAXIMUM POWER INPUT   | 80 W        |
| FORCE FACTOR, BL      | N/A         |
| MAGNET WEIGHT ( oz)   | Neodymium   |
| MOVING MASS           | N/A         |
| FERROFLUID ENHANCED   | NO          |
| SUSPENSION COMPLIANCE | N/A         |
| EFFECTIVE PISTON AREA | N/A         |
| Levc                  | N/A         |
| Zo                    | N/A         |
| Xmax                  | N/A         |
| Vas                   | N/A         |
| Qts                   | N/A         |
| Qms                   | N/A         |
| Qes                   | N/A         |



VOICE: 886.2.26570282 FAX: 886.2.26580166  
E-MAIL: info@tb-speaker.com