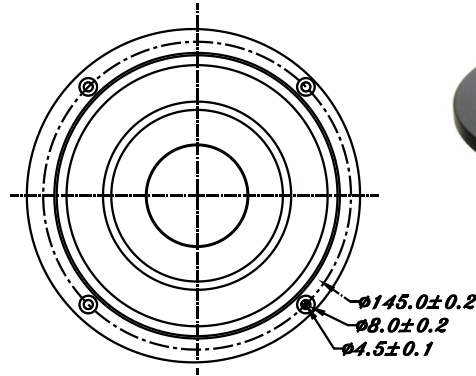
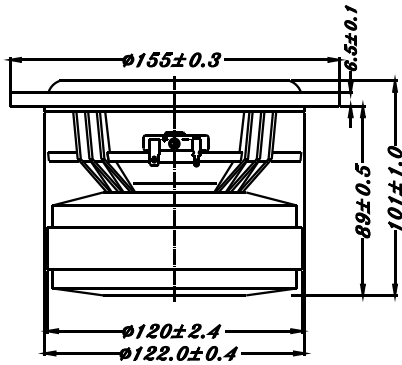


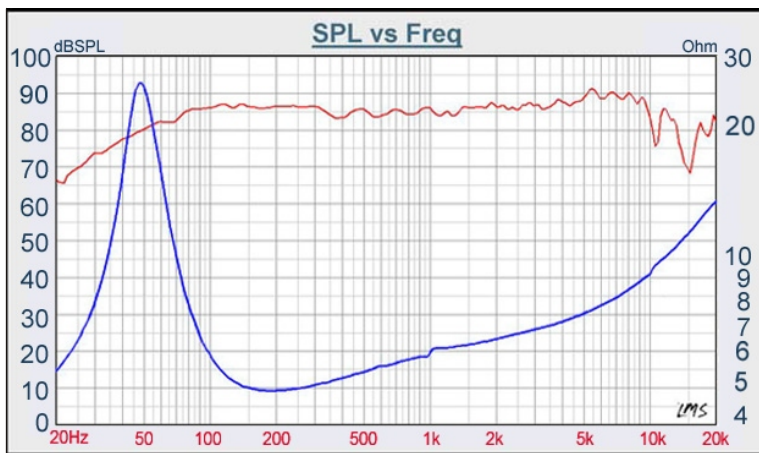
WF SERIES

W5-1685



- HUGE FERRITE MAGNET, UNDER HUNG MOTOR DESIGN
- SHORT RING ON POLE PIECE, VC = 38mm
- VERY LOW 2nd AND 3rd DISTORTION
- LONG THROW, HIGH POWER LOADING, X_{max} = 6mm
- NATURALLY HIGH FREQUENCY ROLL OFF, GOOD FOR CROSSOVER DESIGN

5" MIDBASS



DIAPHRAGM MTL	Paper
SURROUND MTL	Rubber
NOMINAL IMPEDANCE	4 Ω
DCR IMPEDANCE	3.6 Ω
SENSITIVITY 1W/1M	86 dB
FREQUENCY RESPONSE	50Hz-10 KHz
FREE AIR RESONANCE	50 Hz
VOICE COIL DIAMETER	38.5 mm
AIR GAP HEIGHT	8.3 mm
RATED POWER INPUT	45 W
MAXIMUM POWER INPUT	90 W
FORCE FACTOR, BL	4.72TM
MAGNET WEIGHT (33.1 oz)	938g
MOVING MASS	10.98 g
FERROFLUID ENHANCED	No
SUSPENSION COMPLIANCE	1017m MN ⁻¹
EFFECTIVE PISTON AREA	0.0094 M ²
Levc	0.042 mH
Zo	27 ohm
X _{max}	6.1 mm
Vas	12.76 Litr
Qts	0.46
Qms	3.33
Qes	0.53

TB SPEAKERS

VOICE: 886.2.26570282 FAX: 886.2.26580166
E-MAIL: info@tb-speaker.com