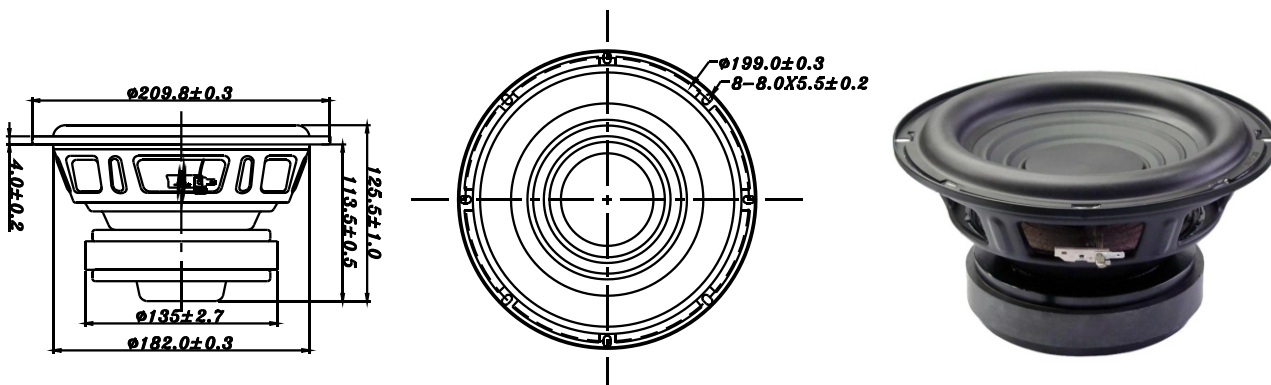


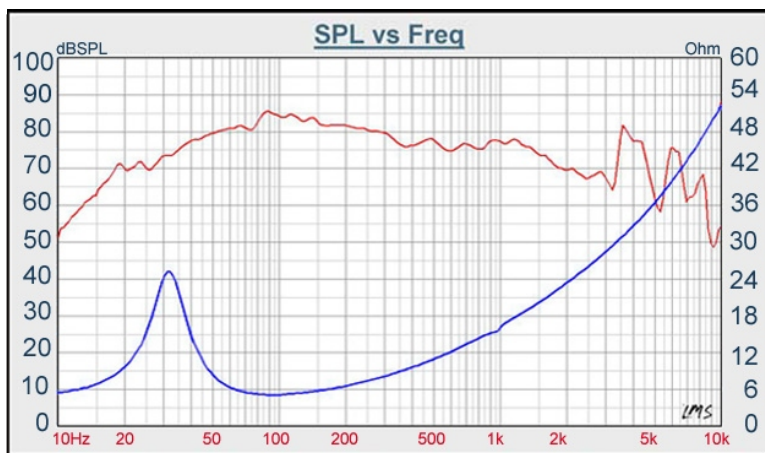
# SU SERIES

# W8-1747



- CORRUGATED, THICK ALUMINUM CONE BODY, VERY STRONG STRUCTURE OF SUSPENSION SYSTEM
- SPECIAL DESIGN FOR HIGH PERFORMANCE, LONG THROW, HIGH POWER HANDLING (350W RMS), HIGH DURABILITY PURPOSE
- 38mm OF VC WITH CCAW

## 8" HIGH POWER SUBWOOFER



DIAPHRAGM MTL	Aluminium
SURROUND MTL	Rubber
NOMINAL IMPEDANCE	4 Ω
DCR IMPEDANCE	3.6 Ω
SENSITIVITY 1W/1M	84 dB
FREQUENCY RESPONSE	30Hz -1K Hz
FREE AIR RESONANCE	30 Hz
VOICE COIL DIAMETER	38.5 mm
AIR GAP HEIGHT	25 mm
NOMINAL POWER	350 W
MUSIC POWER	700 W
FORCE FACTOR, BL	9.77 T M
MAGNET WEIGHT (38.1 oz)	1078g
MOVING MASS	69.85 g
FERROFLUID ENHANCED	No
SUSPENSION COMPLIANCE	366.877u MN <sup>-1</sup>
EFFECTIVE PISTON AREA	0.022 m <sup>2</sup>
Levc	0.386 mH
Zo	25 ohm
Xmax	8 mm
Vas	25.22 Litr
Qts	0.43
Qms	3.02
Qes	0.50

VOICE:886.2.26570282 FAX:886.2.26580166  
E-MAIL :info@tb-speaker.com