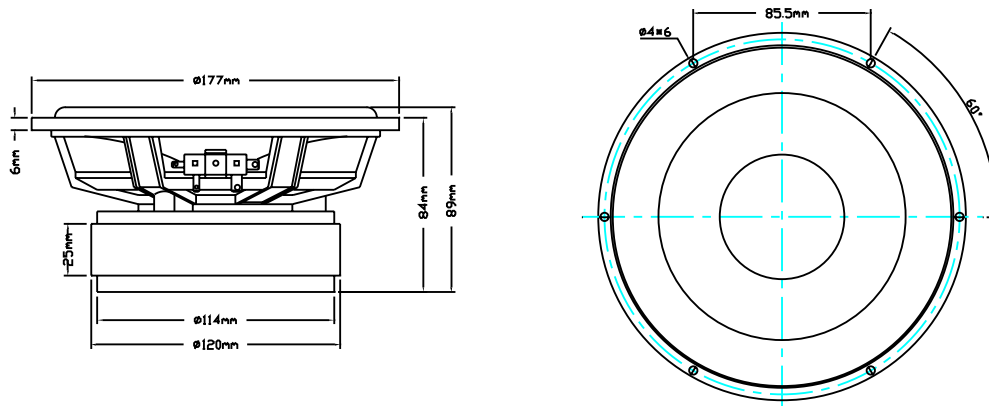
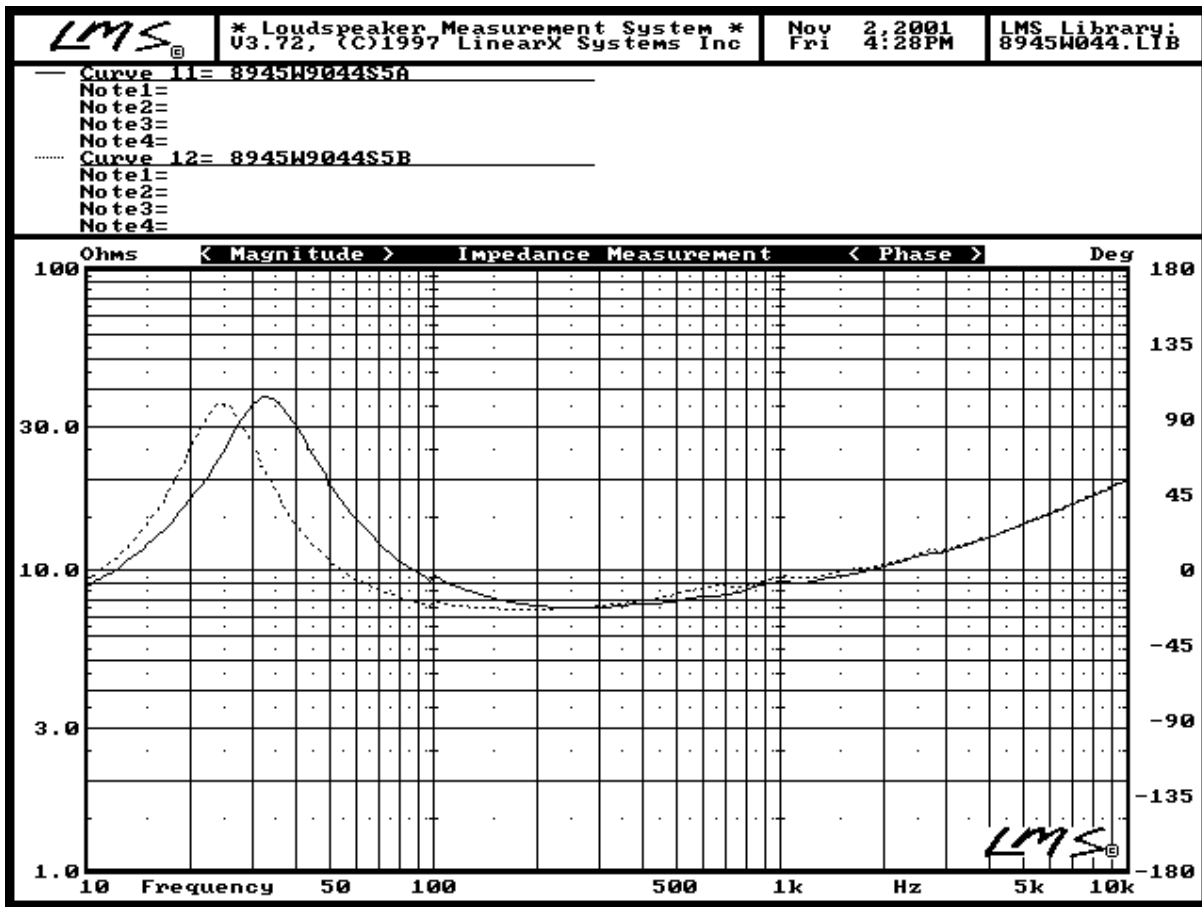


8945A



Specifications

NOMIAL IMPEDANCE	8Ω ±15% at 1.0V 1KHz
VC NOMINAL DIA	φ 42mm
LOWEST RESONANCE FREQUENCY	FO=35Hz ±3Hz at 1.0V
EFFECTIVE FREQUENCY RANGE	FO ~ 8KHz - 10dB 1M/1W
OUTPUT SOUND PRESSURE LEVEL	87dB/W/M ±3dB 200,300,400,500Hz AVE
INPUT	RATED INPUT 80W , MAXIMUM INPUT 90W
FLUX DENSITY	11K ±10% GUASS
BUZZ & RATTLE TEST	6.0V
POLARITY	POSITIVE - (LEFT) HAND TERMINAL
BAFFLE OPENING	140mm
MAGNET DIMENION / WEIGHT	120*60*25(mm)/1055g
WEIGHT	2300g
DROPPING TEST	1150mm 75° ±2°
LINEAR EXCURSION (Xmax)	6mm
EQUIVALENT AIR VOLUME (Vas)	34.2737 Litr
MECHANICAL Q (Qms)	1.962
ELECTRICAL Q (Qes)	0.366
TOTAL Q (Qts)	0.309



TSL Entry Num: 11 | SPLo= 87.38 dB | SPLi= 86.95 dB | SPLi= 88.34 dB|
 TSL File Name:8945W044 | 0.34 % | 0.31 % | @ Eg= 2.83 V|
 Name : 8945W9044S5 Rem= 2.78 , Lem=0.458 mH @ 1KHz
 Model: Speaker- Woofer/ Midrange Rem= 11.75 , Lem=0.142 mH @ 20KHz

Znom= 8.000 ohm Sd= 0.0150 sqM Fi= 32.754 Hz Hvc= 18.0000 mM
 Revc= 5.800 ohm BL= 8.3670 TM Fo= 33.570 Hz Hag= 6.0000 mM
 Km=41.586 Vas= 34.2737 Litr Qms= 1.962 Xmx= 6.0000 mM
 Kxm= 13.854 mH Cms=1072.7050 uM/N Qes= 0.366 Cmx= 6.0000 mM
 Erm= 0.481 Mms= 20.9539 Gram Qts= 0.309 Cmo= 1.0000
 Exm= 0.610 Mmd= 19.8976 Gram Pmx= 80.000 Wrms Vc= 3.1250 C/W

