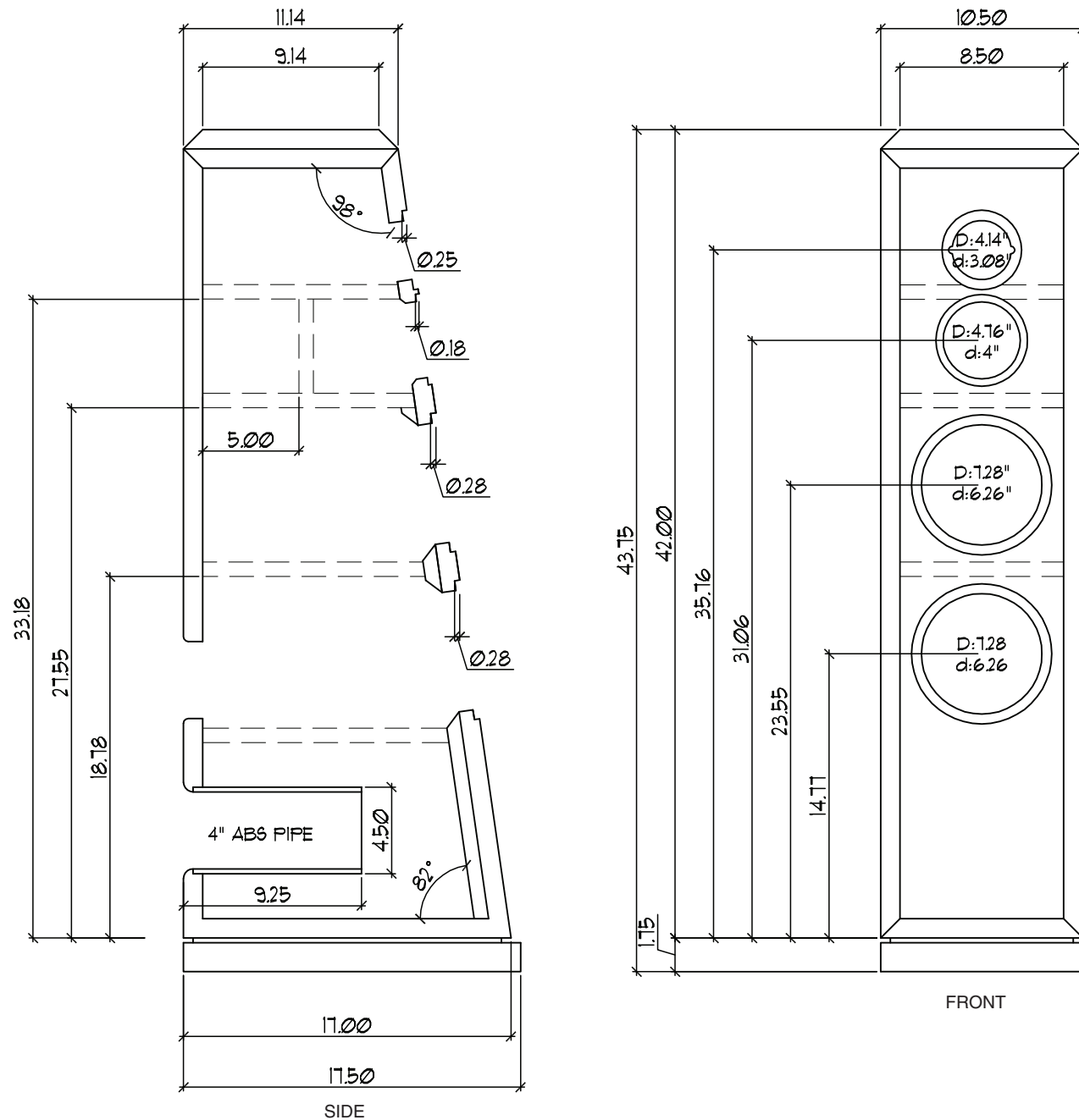


# SCANSPEAK

## B741 DIMENSIONAL DRAWINGS



**Build It Yourself And Save Big Time!**

# SCANSPEAK

Two renowned names in one great speaker system. And, with a little effort on your part, at a heck of a savings. You know the names: ScanSpeak and Noerbaek. The impeccable tweeter, midrange drivers and woofers cannot be beat. The innovative electronic crossovers and handsome cabinet are from the legendary Peter Noerbaek. It's an unbeatable blending at an equally unmatched price. All you have to do is buy the kit and perform the easy assembly. It literally doesn't get any better than the ScanSpeak B741 DO-IT-YOURSELF-AND-SAVE AFICIONADO PROJECT!

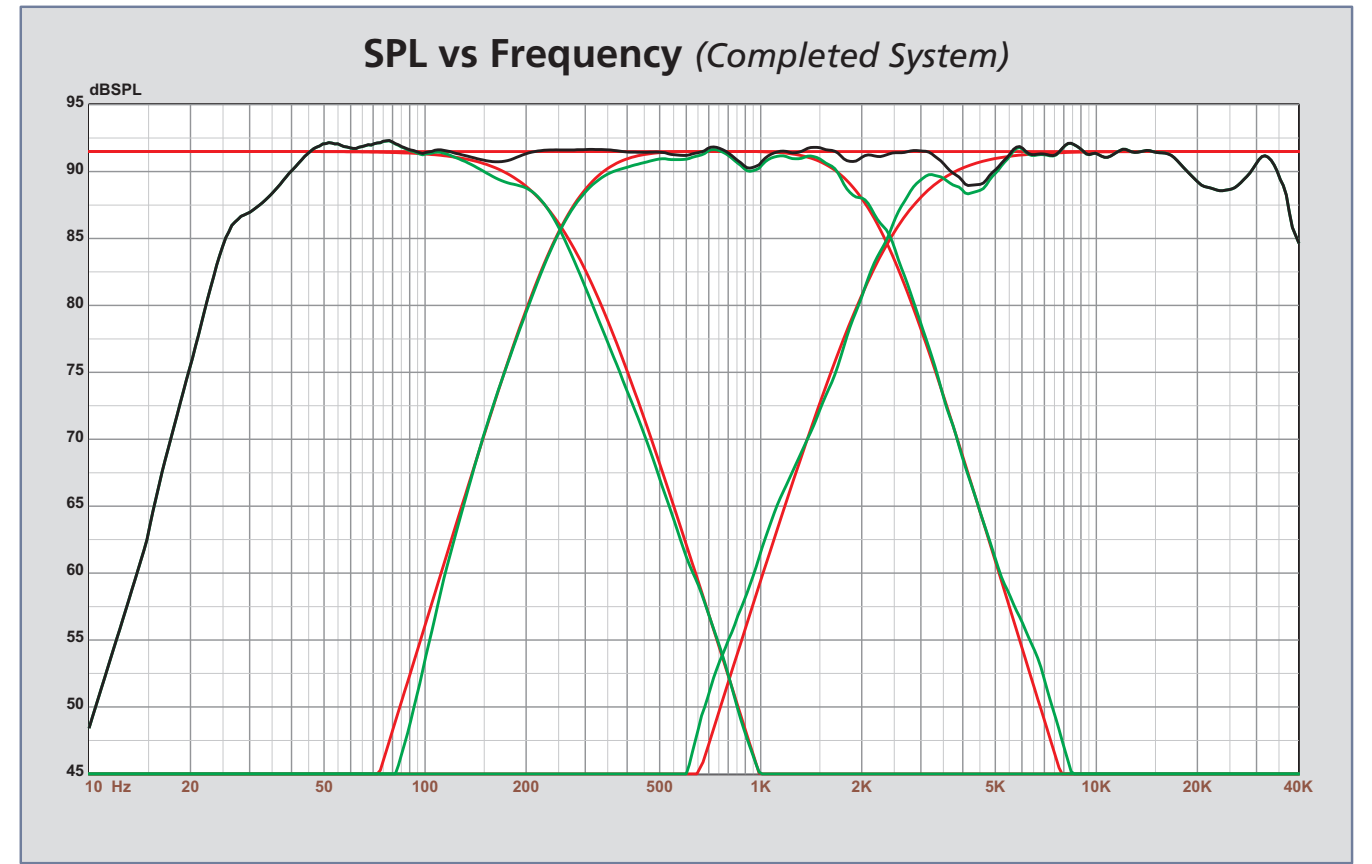
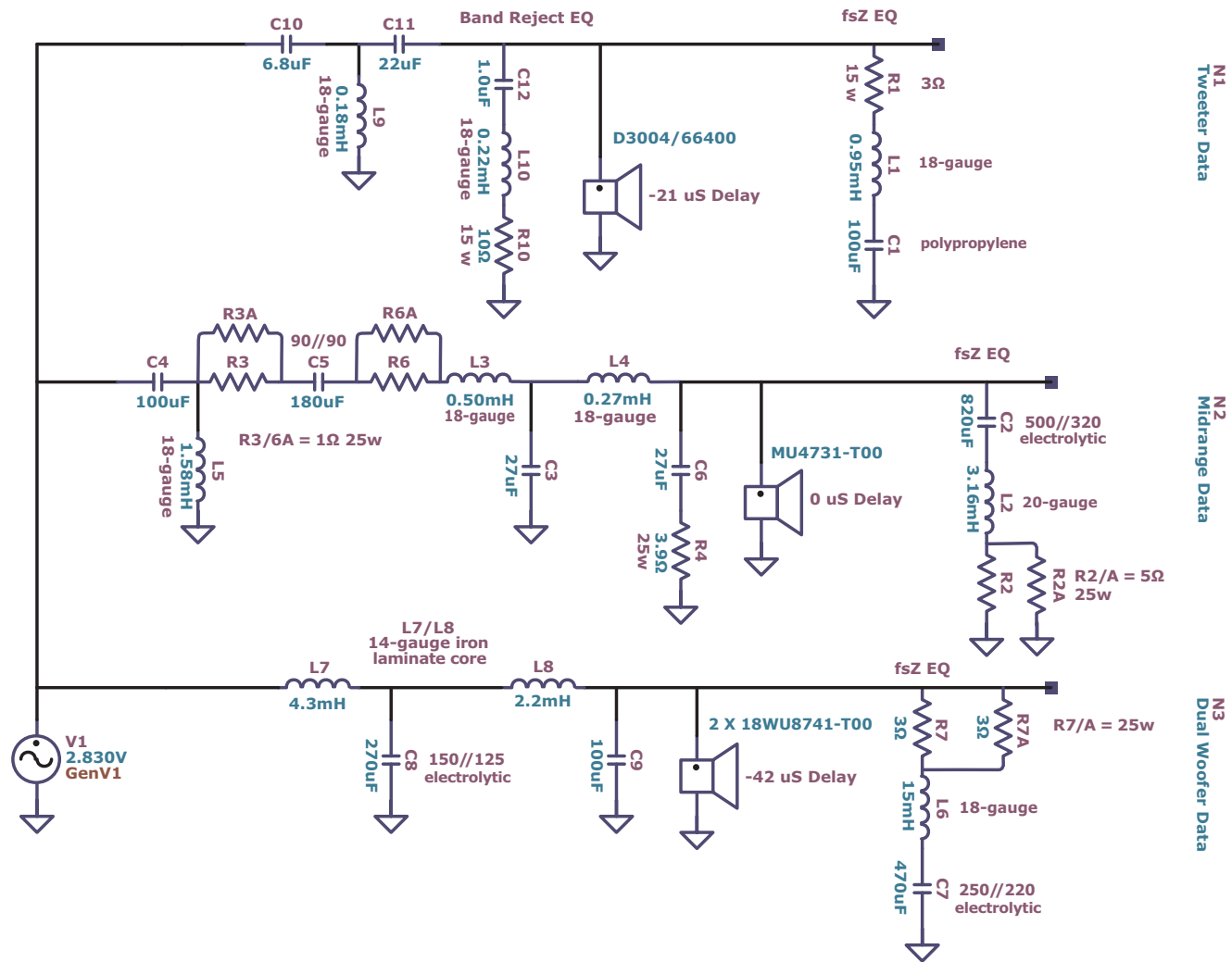


*Recommended internal parts if bought separately.*  
Parts and crossovers are available through  
[www.madisound.com](http://www.madisound.com)



A complete pair of assembled and tested speakers with plain lacquered cabinets is available through PBN Audio for **\$8499**

*Price Does Not Include Shipping Costs, Which Will Vary*



**SPEAKER DESCRIPTION**

**TWEETER:** 1" ScanSpeak Illuminator Tweeter with Beryllium Diaphragm and AirCirc Motor System.

**MIDRANGE:** 4" ScanSpeak Illuminator Midrange with Symmetrical Drive neodymium motor system with low-linear excursion to ensure very low distortion.

**DUAL MIDWOOFERS:** Two 7" ScanSpeak Midwoofers with open-construction design, extremely long linear excursion and Symmetrical Drive neodymium motor system for low distortion and low-loss linear suspension.

